



DOOR UNIT INSTALLATION INSTRUCTIONS

1. Preparing for Installation

Carefully remove the packaging, foam plastic, cardboard. After unpacking check the door leaf and its completeness (figure 1).

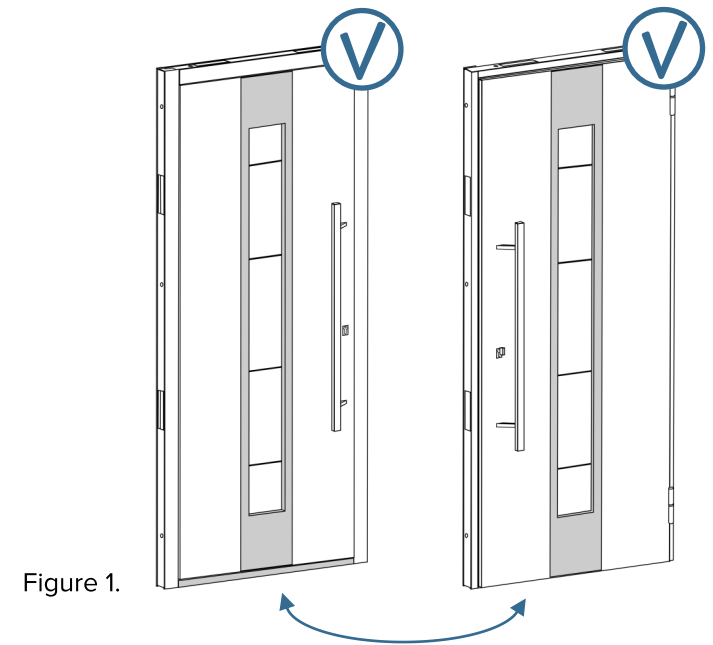


Figure 1.

2. Dismantling the Old Door and Preparing the Doorway

2.1. Before installing the door block, it is necessary to make sure that the size, side and direction of opening of the new door correspond to the opening (figure 2).

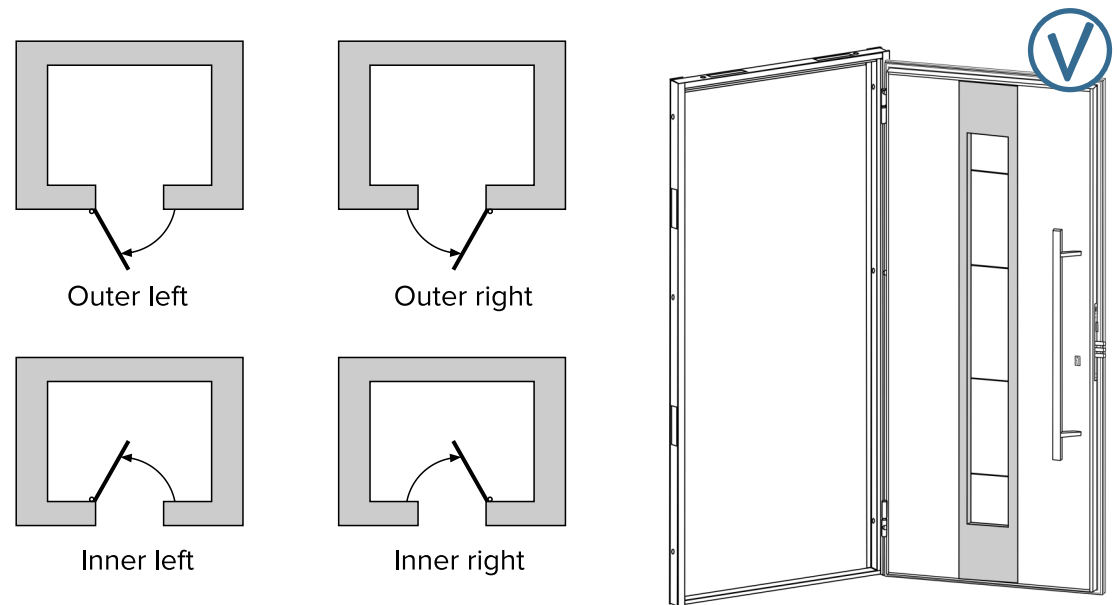
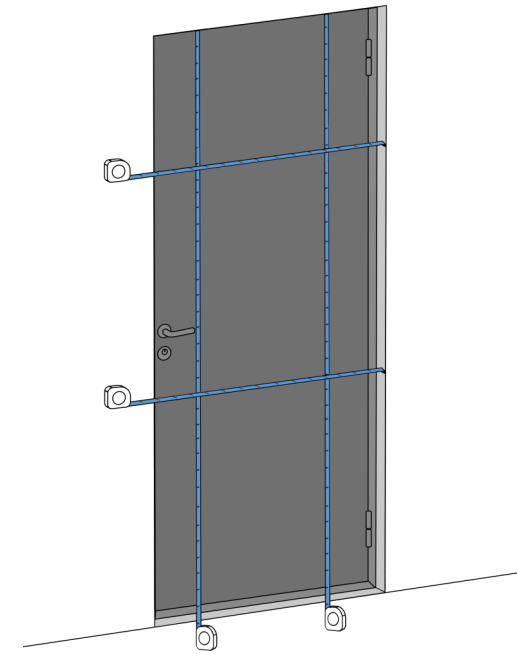


Figure 2 – the scheme of checking the direction and the side of the opening

2.3. Using a tape measure, determine the size of the doorway in several places by width and height. The recommended size of the doorway around the entire perimeter should be up to 30 mm larger than the installation size of the door frame on each side (figure 3).

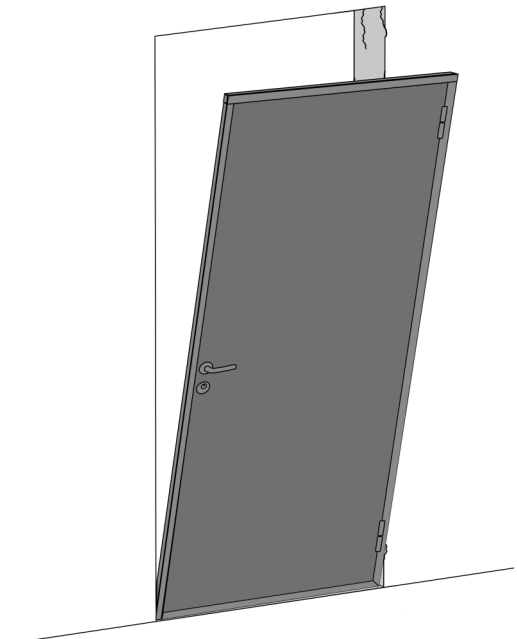
ATTENTION! DO NOT dismantle the old door until you make sure that the new door is in good order and fits the size of the doorway!

Figure 3



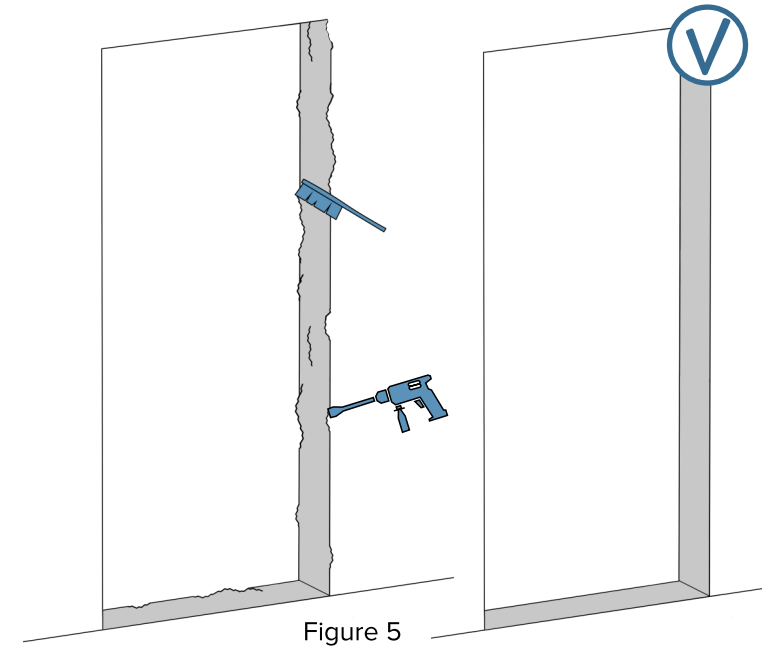
2.4. Dismantle the old door (figure 4).

Figure 4

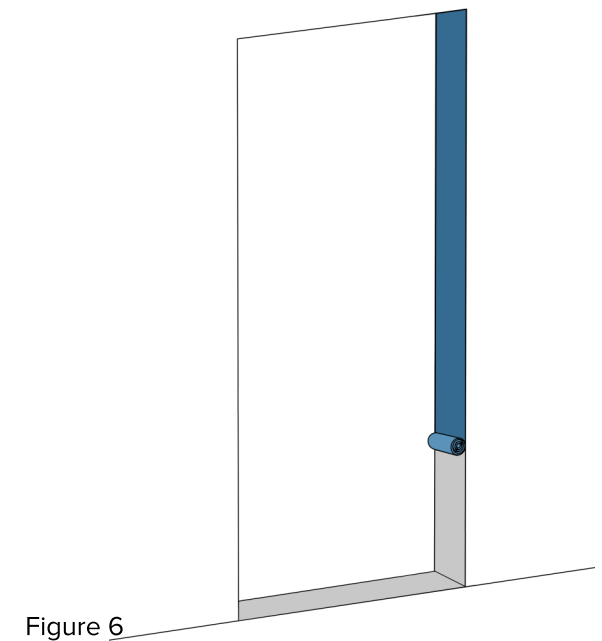


2.5. Prepare the doorway; if necessary, level it with a perforator and hammer, and clean the installation area from debris. Remove protruding irregularities from the doorway surface. Defective places must be puttied with waterproof compounds. Streaks and damages of more than 10 mm height/depth are not allowed on the doorway surface. Doorway surfaces with oil contamination should be degreased. Treat loose places with mastics.

2.6. Clean all surfaces of the doorway from dust, dirt, and oil stains, and – in winter conditions – from snow, ice, hoarfrost, followed by heating the surface (figure 5).



2.7. We recommend waterproofing the doorway around the entire perimeter using a waterproofing tape (figure 6).



3. Installation of the Door Unit

3.1. Remove the door leaf from the frame (figure 7).

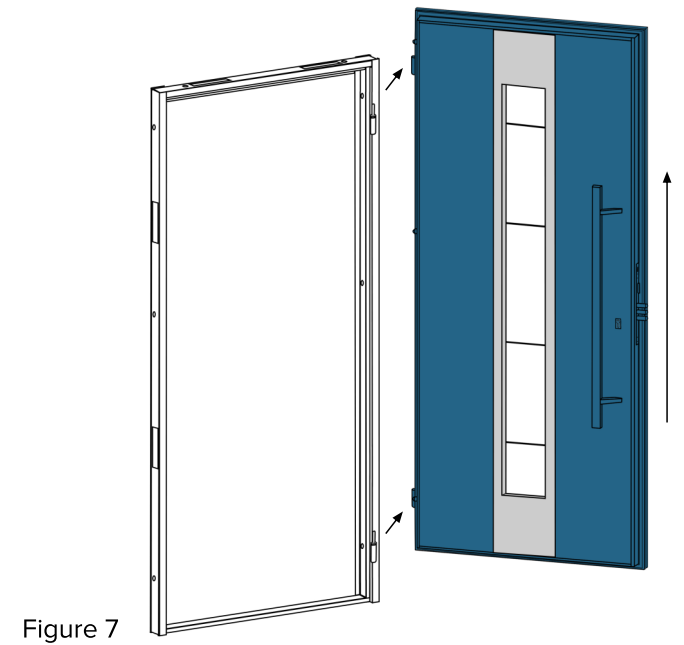


Figure 7

3.2. Remove all mounting bearings from hinges (figure 8).

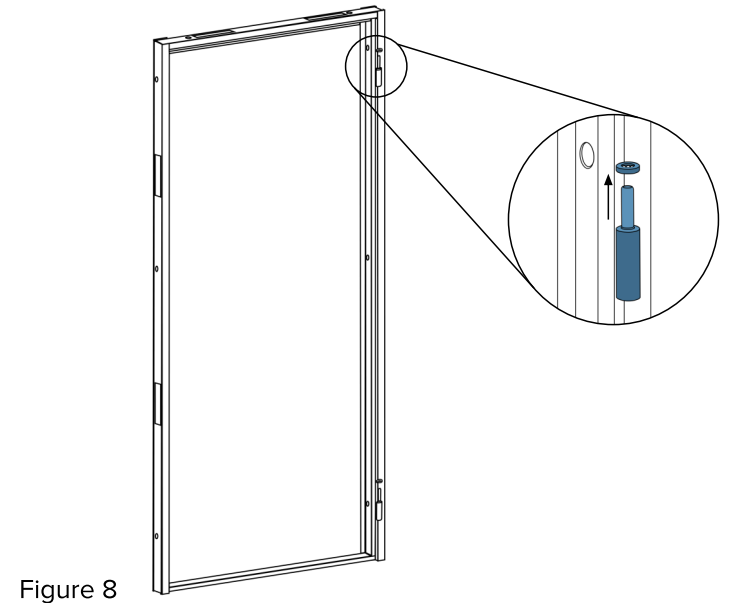


Figure 8

3.3. Install the frame in the doorway on backing materials (wedges, bars), ensuring approximately the same distance between the door frame and the doorway on both sides.

3.4. Fasten the door frame with wedges in the doorway to fix the clearances with wooden wedges. Wedges are preferably installed between the door frame and the doorway wall from above and below (figure 9), so as not to deform the middle part of the door frame.

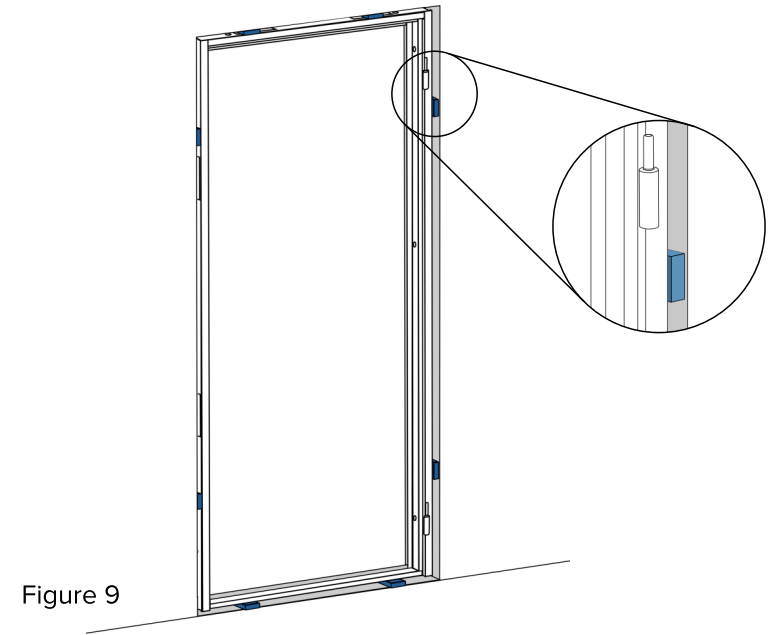


Figure 9

3.5. Align the door frame with the help of a builder's level from hinge side. To check the vertical, the builder's level shall be applied to the inner, wide shelf of the frame (A); to check the inclination, the builder's level shall be applied to the front trim of the frame (B); to check the horizontal, the builder's level shall be applied to the threshold (figure 10).

Attention if it is impossible to install the door block on the anchor bolts through the frame the installation can be carried out through the remote installation brackets, which must be installed on the door frame using screws.

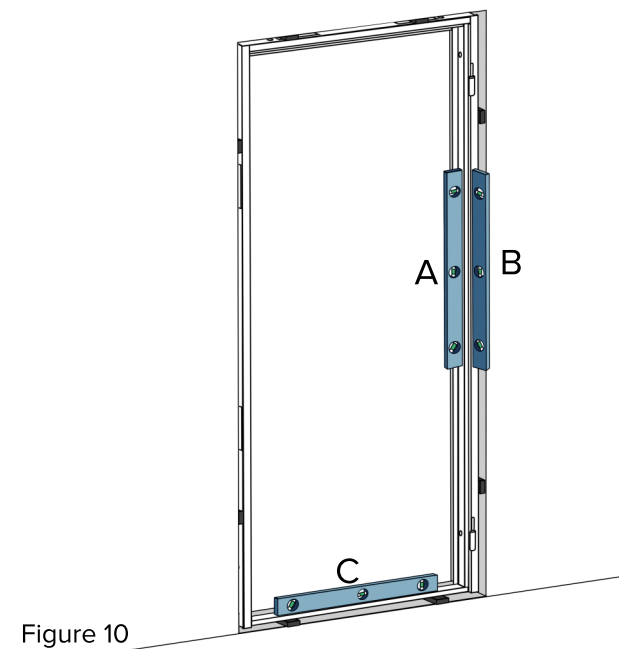
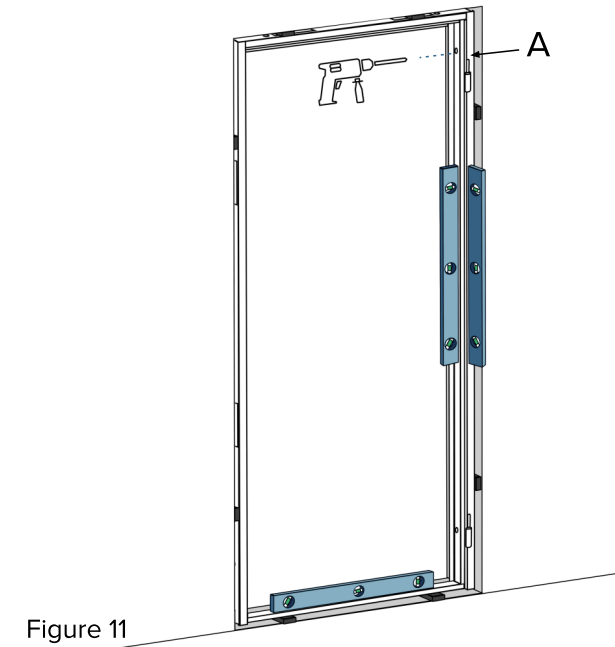


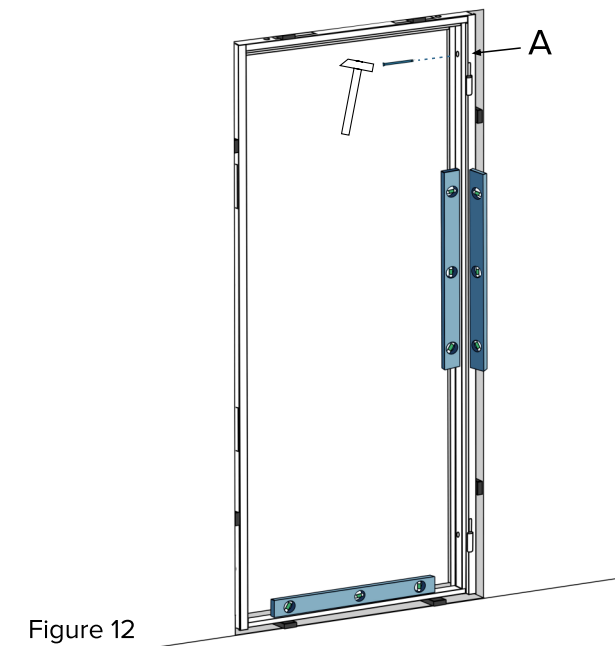
Figure 10

3.6. Drill a $\text{Ø}10$ mm 120-130 mm deep hole through the upper mounting hole on the hinge side of the frame (A) (figure 11).



3.7. Remove chips and sand from the hole. It is recommended to lubricate the surface of the anchor with a cement-sand or adhesive mortar before installation. Install the frame anchor using a hammer and an impact screwdriver (A); do not tighten the anchor (figure 12).

3.8. Check with the builder's level the vertical of the hinge part and the horizontal of the threshold part of the frame.



- 3.9. Screw in the frame anchor to the end (A).
- 3.10. Install the lower frame anchor on the hinge (B) side by repeating steps 3.6-3.9 (figure 13).

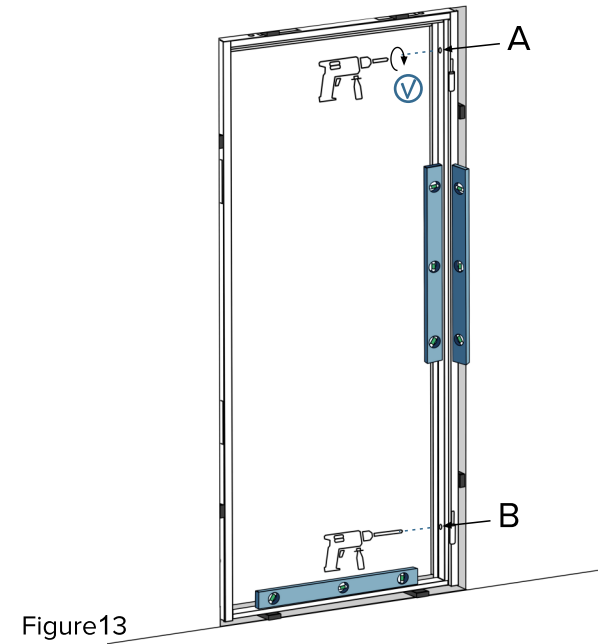


Figure13

- 3.11. Install mounting bearings on hinges. Apply grease lubricant to the hinge pin (figure 14).

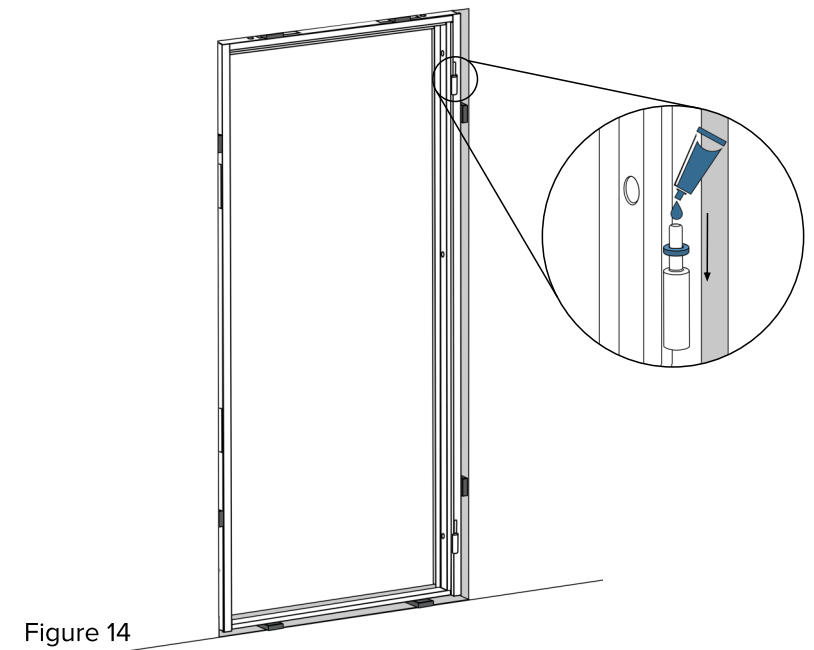
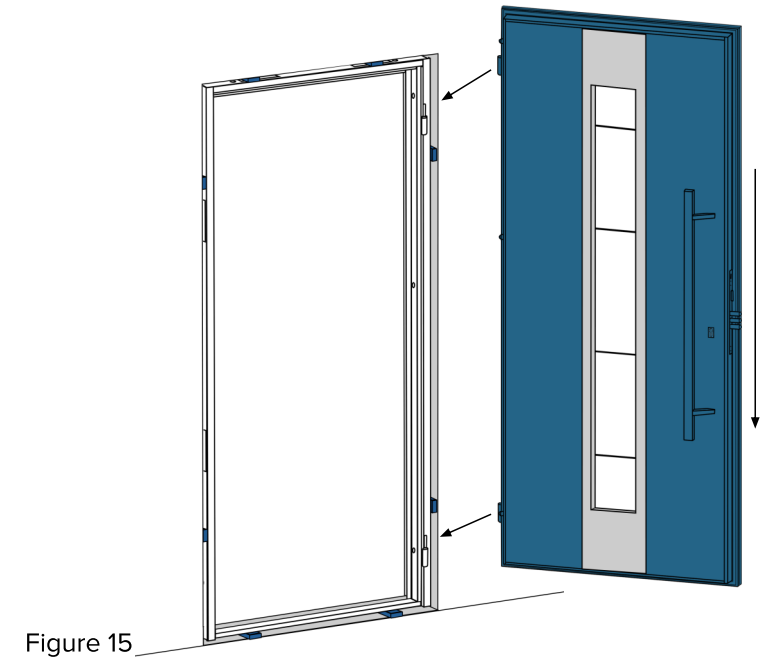
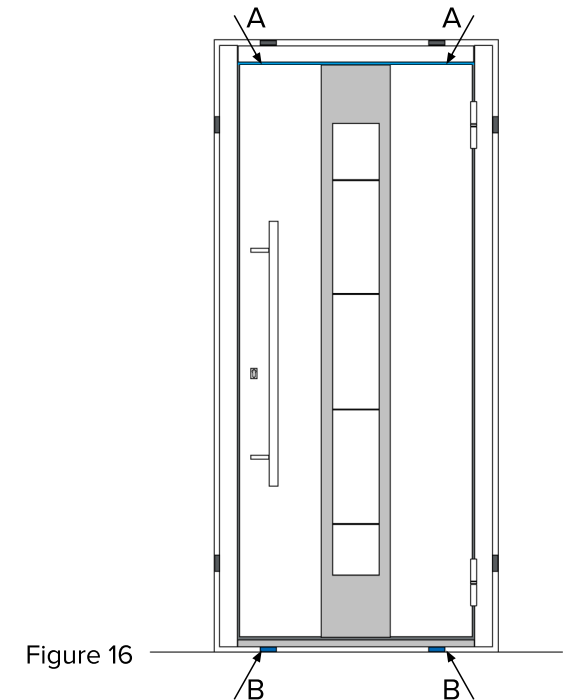


Figure 14

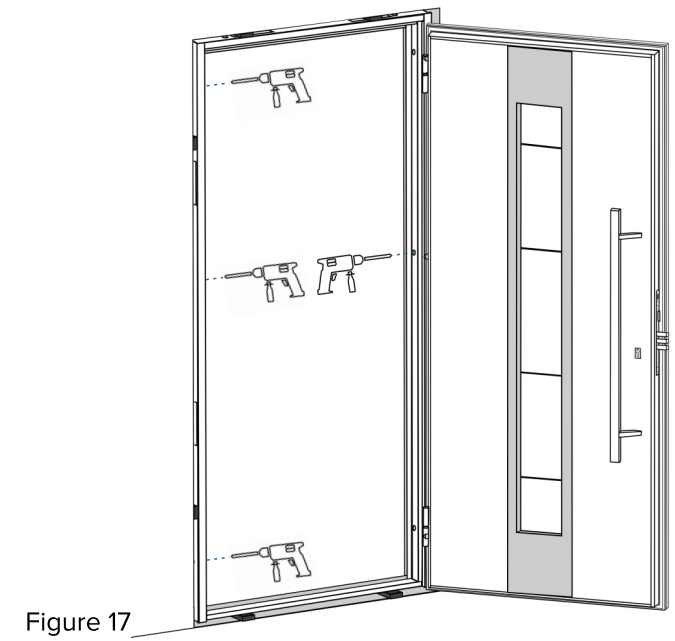
3.12. Install the door leaf (figure 15).



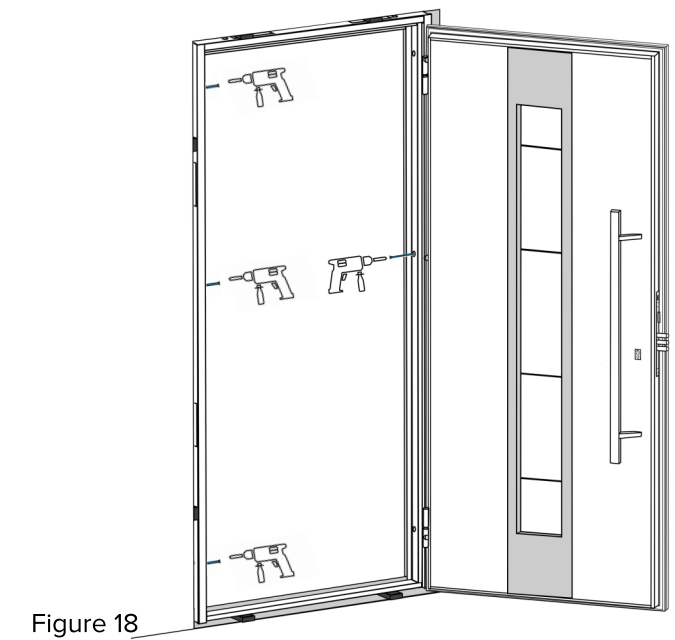
3.13. Align the locking part of the frame along the contact. Check the uniformity of the clearance between the top of the leaf and the top profile of the frame (A). In case of an uneven clearance, adjust it by placing wooden linings under the threshold of the frame from the side of the smaller clearance (B) (figure 16).



3.14. Drill holes in the wall through the remaining holes (on the left/right) (figure 17).



3.15. Fasten the anchors, but not completely (figure 18).



3.16. Close the door, check the vertical and the horizontal, and whether the door leaf is level relative to the frame (figure 19).

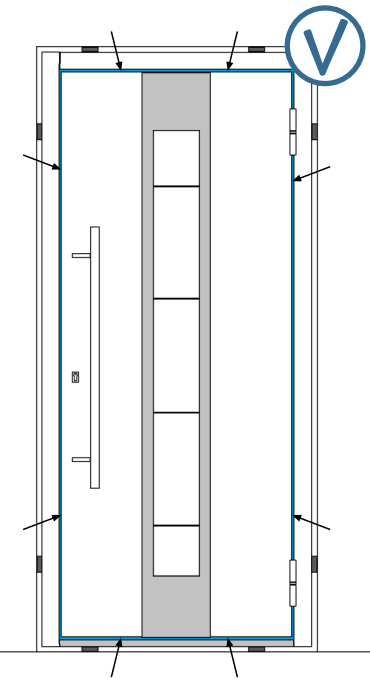


Figure 19

3.17. Tighten all anchors (figure 20).

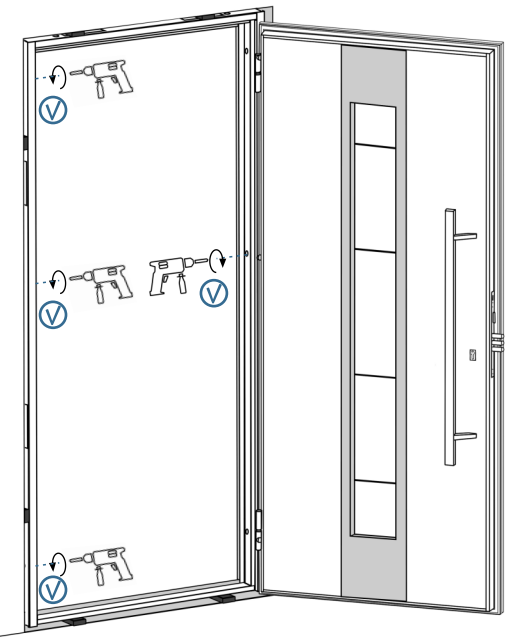


Figure 20

3.18. Adjustment of adjoining of the leaf contact (figure 21):

- If a contact regulator is installed in the door, see Annex No. 1 "Adjusting the Leaf Contact";
- If the door is equipped with Fuhr electromechanical latch, see Annex 2 "Fuhr Latch Operation and Adjustment".

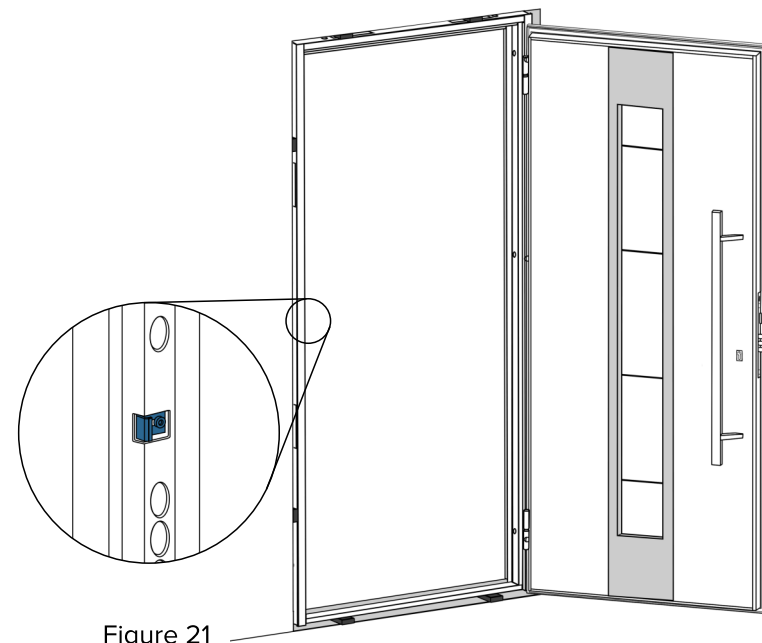


Figure 21

3.19. After the final installation and acceptance of the door unit, mounting holes shall be closed with the included plugs (figure 22).

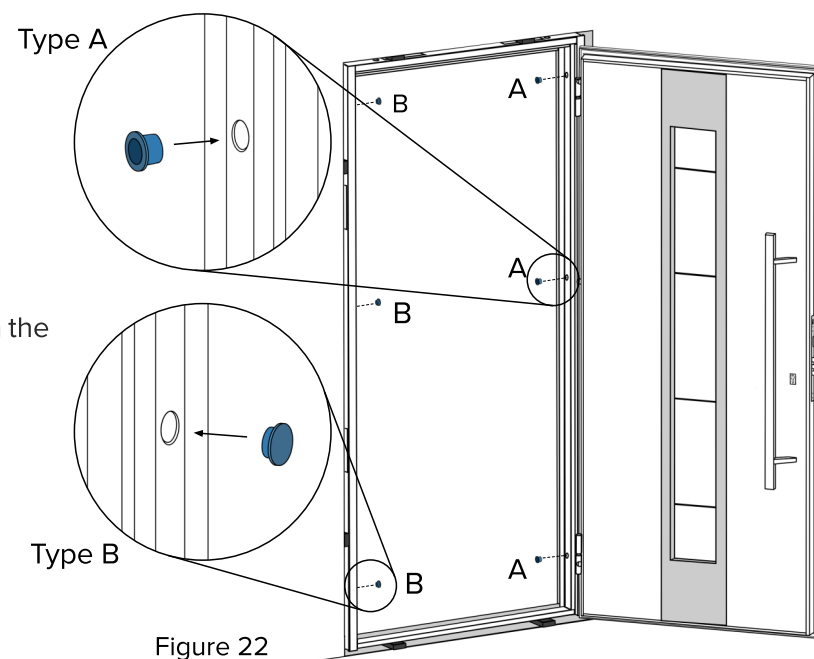


Figure 22

3.20. Blow off the filling places from dust and brick chips. Moisten the wall surface with a spray gun and fill the mounting clearance with mounting foam (figure 23).

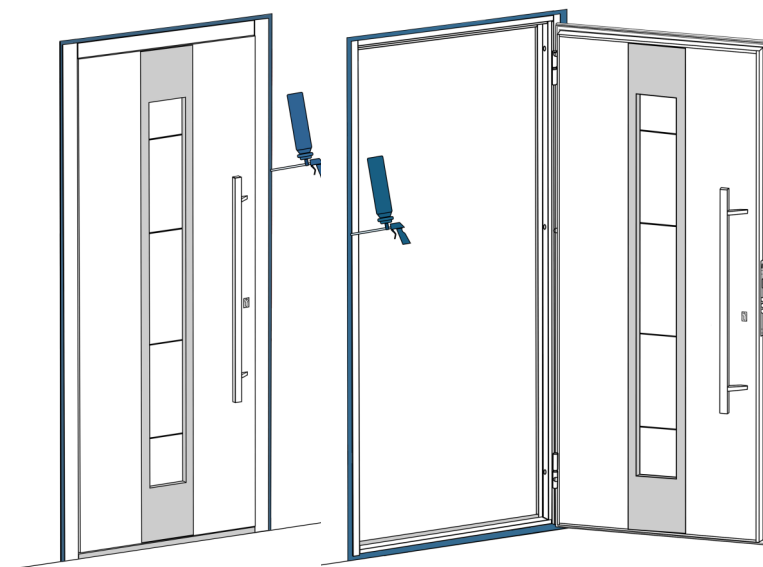


Figure 23

4. Installing fittings (figure 24)

4.1. Installation and operation of the cylinder, see Annex No. 3 “Operation and Installation of Securemme K2 Cylinder”.

4.2. Install plates:

- if the door is equipped with plates, see Annex No. 4 “Installing the plates”.
- if the door is equipped with a mortise armoured plate, see Annex No. 5 “Armoured Plate Installation Instructions”.

4.3. Install handles:

- if the door is equipped with a lever handle, see Annex No. 6 “Lever Handle Installation Instructions”;
- if the door is equipped with a handle, see Annex No. 7 “Handle Installation Instructions”.

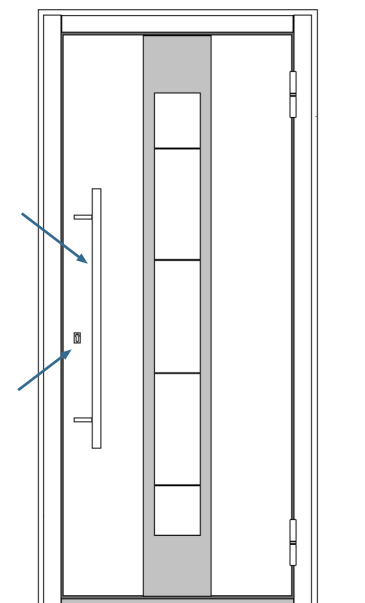


Figure 24

5. Upon completion of installation work, remove protective films from the door (figure 25).

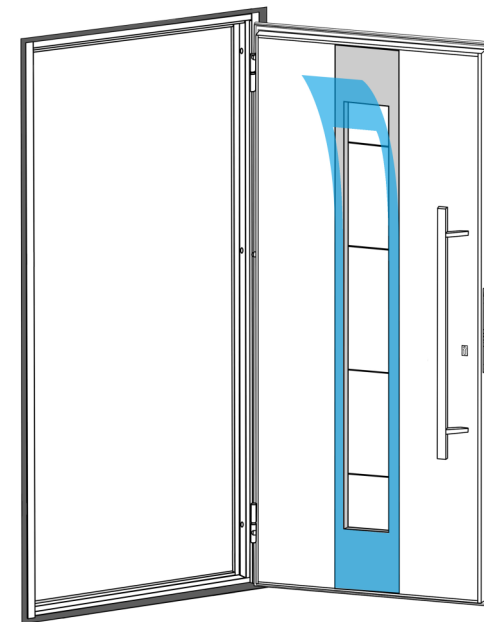


Figure 25

Application No. 1 “Leaf Contact Adjustment”

To adjust the leaf contact, unscrew the screw (do not unscrew it completely) and move the tongue (depending on the required adjustment, it is moved to increase the pressing of the leaf or loosen it). Next, tighten the screw. Check how the door is closed and repeat if necessary (figure 26).

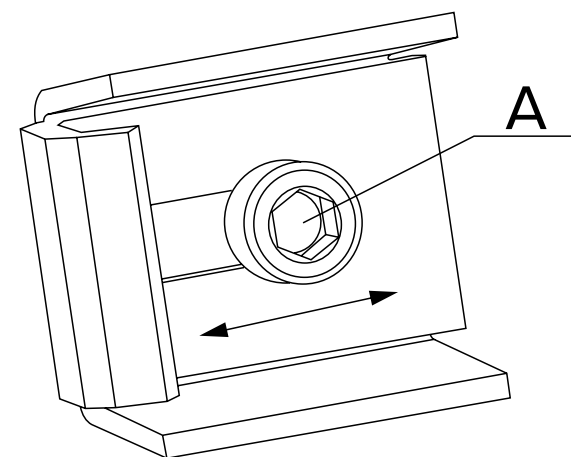


Figure 26 – Contact regulator

Application No. 2

“Adjustment and operation of the Fuhr latch”

Door Leaf Contact Adjustment

To adjust the door leaf contact, unscrew the screws (DO NOT UNSCREW THEM COMPLETELY) (A). Move the latch plate in the desired direction (B). Then, tighten the screws and check the closing of the door (figure 27).

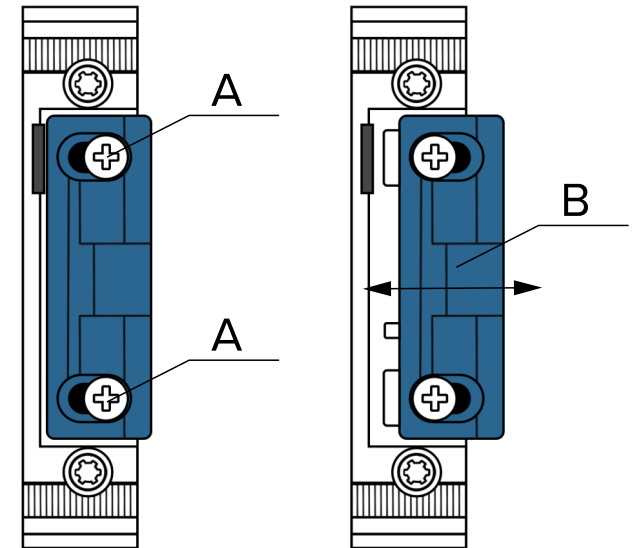


Figure 27 – Adjustment of contact

Fuhr Latch Operation

Changing the “Day” and “Night” modes of the Fuhr latch
A switch is used to change the ‘Day’ and ‘Night’ modes (figure 28).

Modes:

“Day” – In this mode, the latch plate can be pressed, which is required for the operation of doors equipped with pull handles.

“Night” – In this mode, the latch plate is fixed, which does not allow to open the door by applying force to the pull handle (pulling or pushing). To open the door, one needs to turn the cylinder for opening until it stops, which will remove file lock latch, and the door will open.

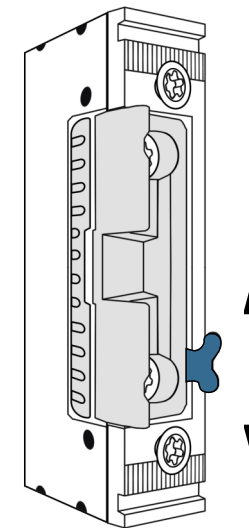


Figure 28 – The “Day” and “Night” mode switch

Application No. 3

“Operation and installation of the Securemme K2 cylinder”

Cylinder Installation

The cylinder mechanism must be inserted into the hole, and the cylinder must be aligned relative to the lock so that the mounting hole in the cylinder coincides with the axis of the lock (figure 29).

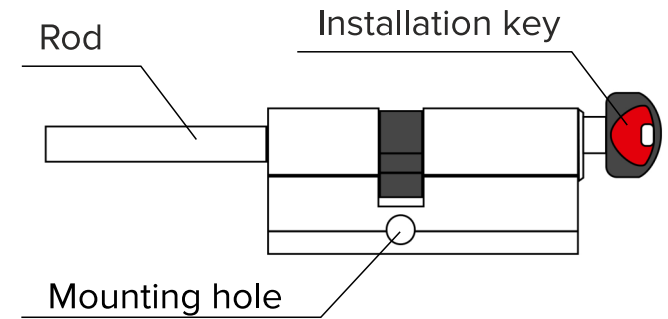


Figure 29 – Cylinder

Check the lock by opening the latch. After a successful check, fix with the included screw through the hole in the lock (figure 30).

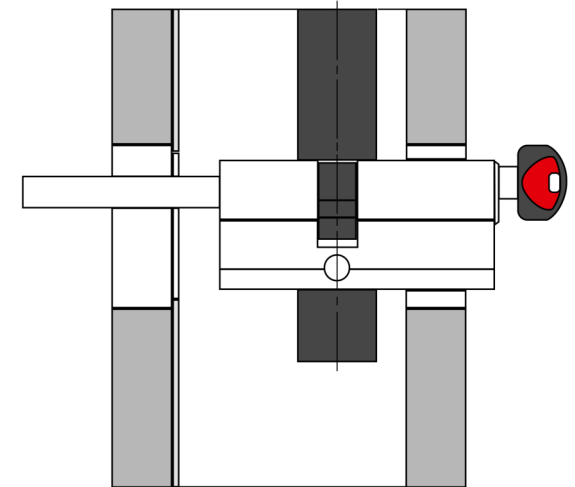


Figure 30 – Setting the cylinder on the axis

Cylinder operation

Italian 'Securemme K2' 10-pin cylinder with recoding function (figure 31):

- 3rd class of burglar resistance;
- 2,000,000 security combinations;
- Steel pins for drilling protection;
- Protection against pulling the core of the cylinder;
- A complex key profile for guaranteed protection against opening by a picklock.

The kit includes 5 master keys, one installation key, and an individual owner card (figure 32).

Keys with an individual owner's card are sealed in the original "Securemme" packaging, which is opened only by the buyer.

Installation key is used during construction works. After that, the recoding process is carried out by opening/closing the lock with one of the keys of the main set for 4 turns. After changing the cipher, the installation key is deactivated.

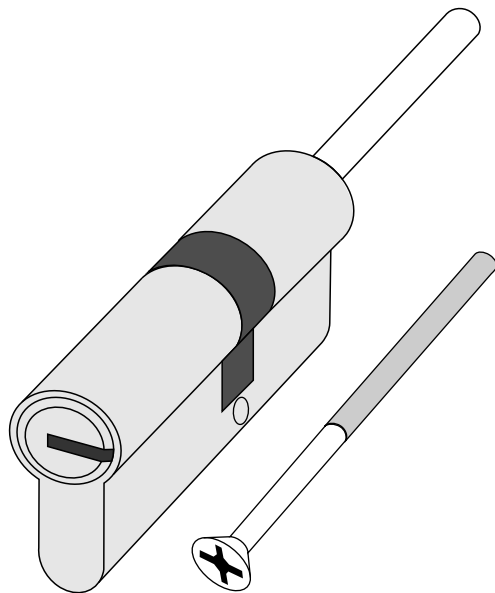


Figure 31 – Cylinder

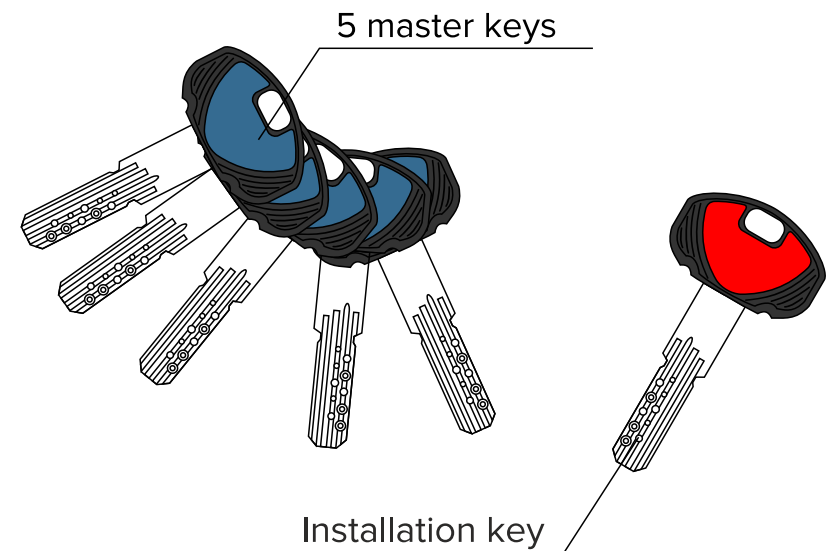
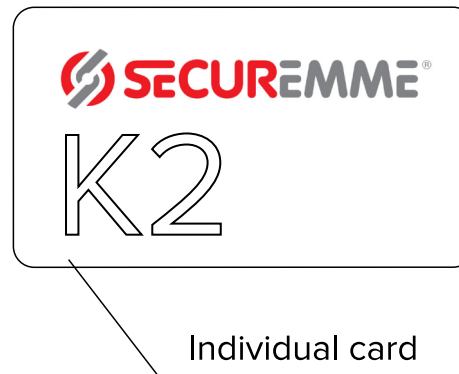


Figure 32 – Cylinder set

Application No. 4 “Installing the plates”

To install the Wall pad, degrease the installation place (around the hole for the cylinder), peel off the protective film of the adhesive base (A), and stick the pad on the installation place (B) (figure 33).

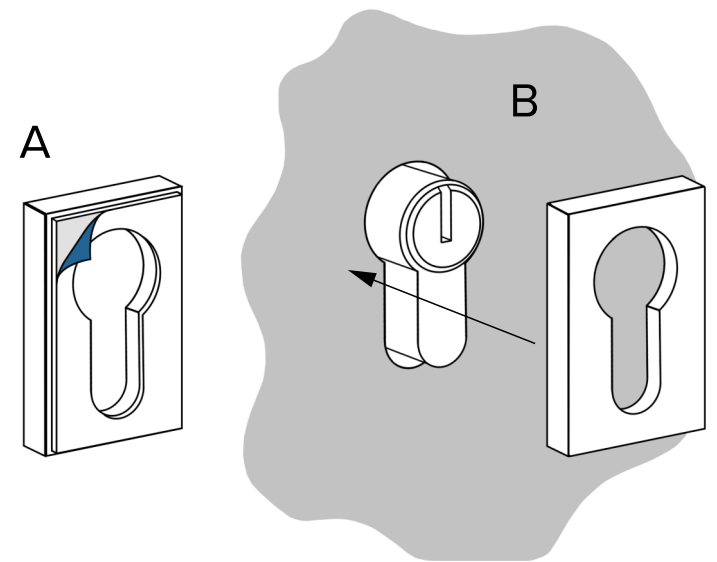


Figure 33 – installing the plates

Application No. 5 “Installing the armor plate”

To install the plate, tighten with the included screws (figure 34) two parts of the plate placed on both sides of the door, where the anti-panic plate shall be installed on the side of the cylinder key and the other plate shall be installed on the cylinder rod.

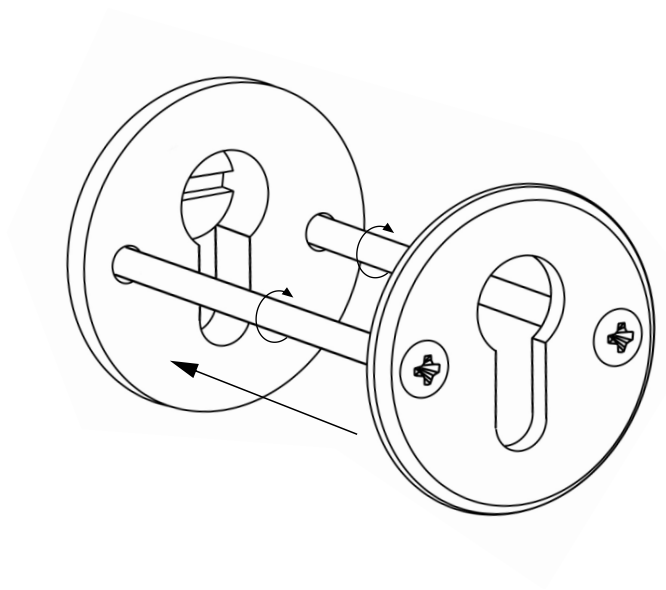


Figure 34 – Installing overlays

Application No. 6

“Push handle Installation Instructions”

Follow these steps to install the handle (figure 35):

1. The included square of the handle should be inserted into the lock.
2. Unscrew the socket of the handle from the base of the socket.
3. Install the handles on the square close to the door leaf.
4. Tighten both bases of the handle sockets through the holes in door leaf using the supplied tightening screws.
5. Screw the handle bases onto the supplied screws.
6. Screw the handle sockets back onto the bases of the handle sockets.

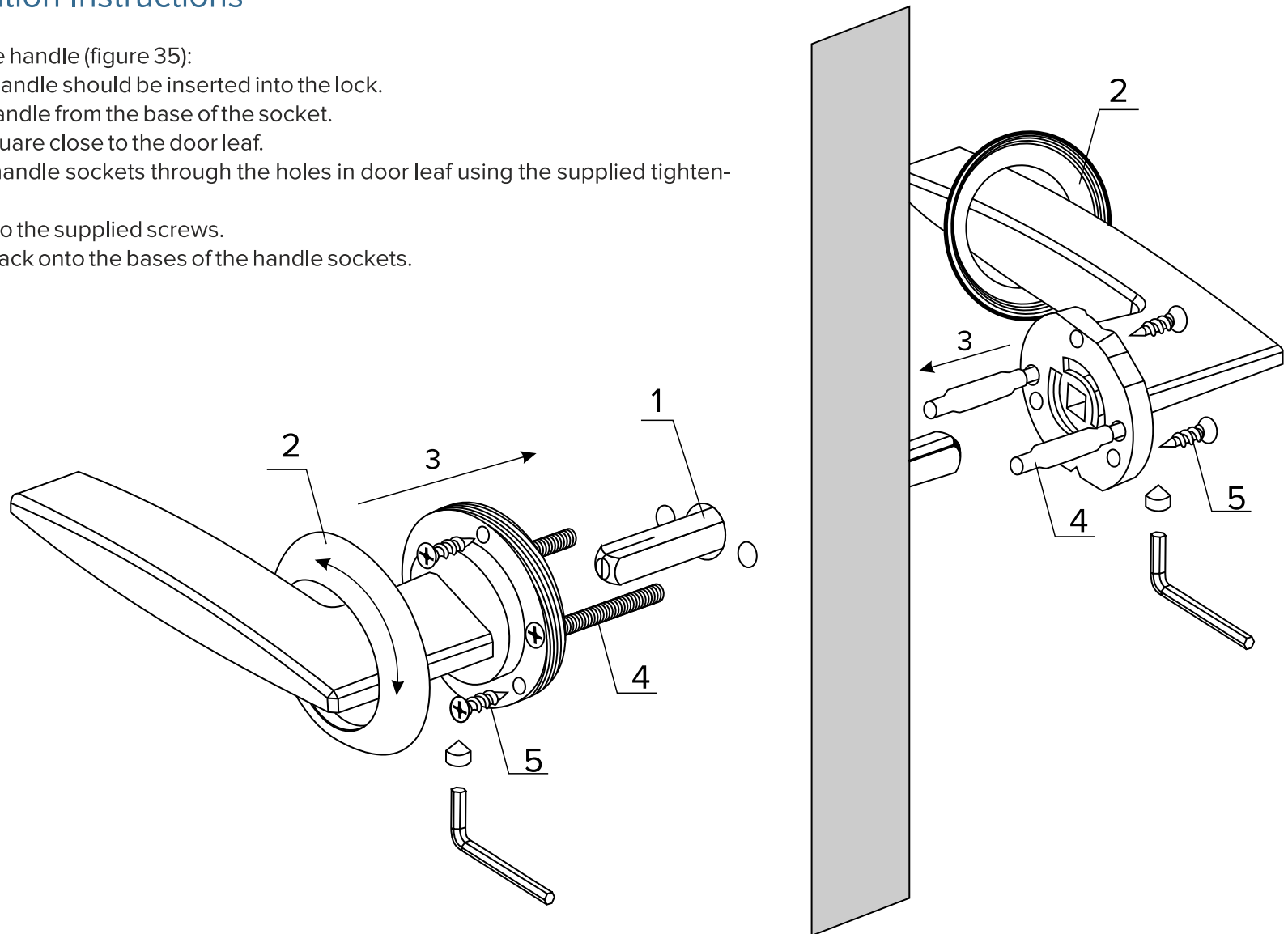


Figure 35 – Instructions for installing the push handle

Application No. 7 «Installing the handle»

1. Assemble the set consisting of a plastic support, a decorative plate, and a handle holder (without thread) – insert the screw through the mounting hole in the door leaf (figure 36).

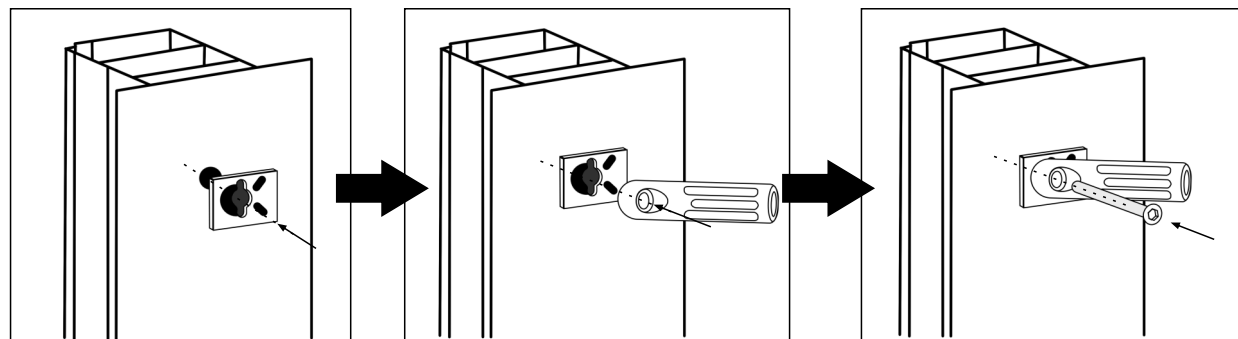


Figure 36

2. Repeat the operations in step 1 on the other side of the door leaf, but the handle holder must be threaded (figure 37). After measuring the required length of the screw, cut it.

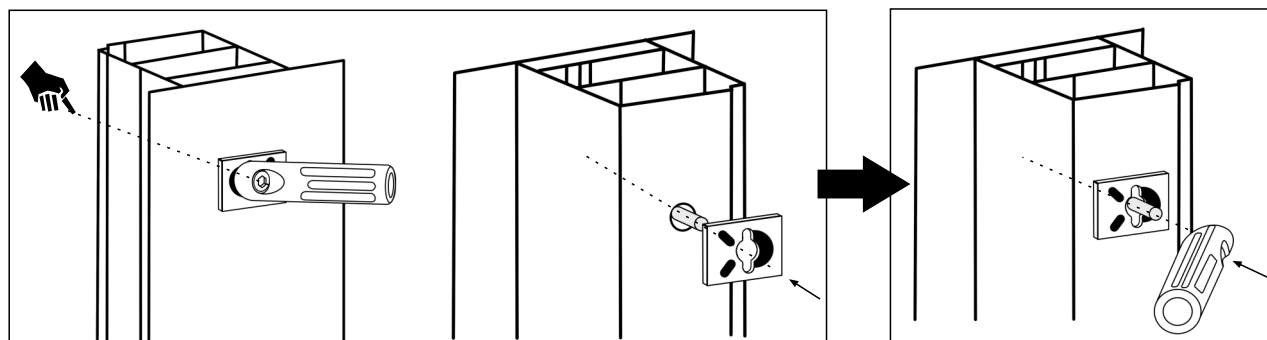


Figure 37

3. Tighten the tightening screw (figure 38).

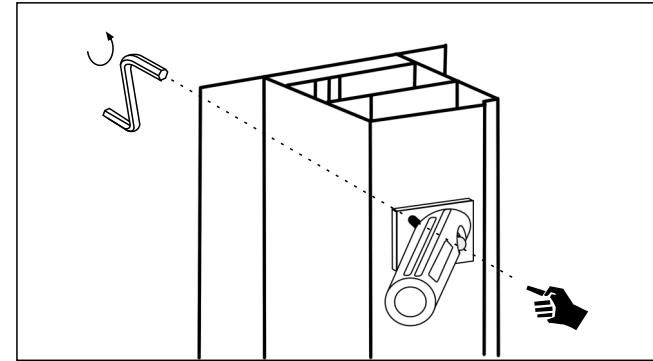


Figure 38

4. Put the decorative plates on the bracket holders and start the screws (figure 39).

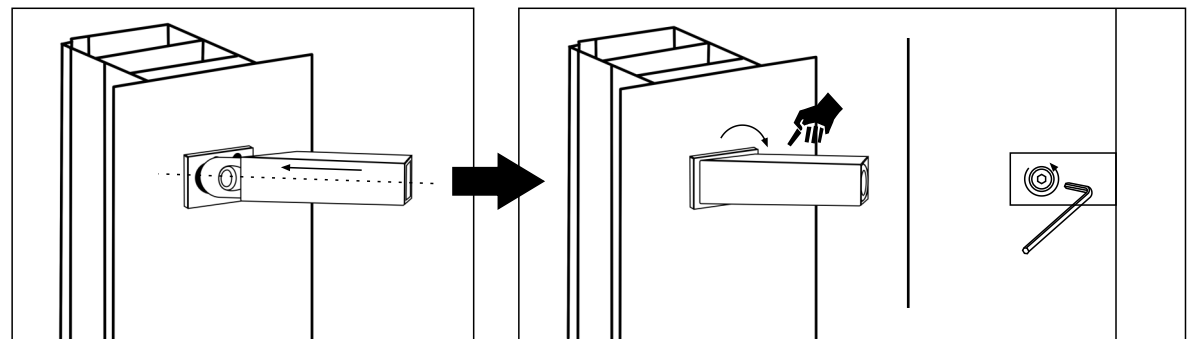


Figure 39

5. Insert the bracket tightly into the mounting holes and tighten the screws (figure 40). Repeat on the back of the door leaf.

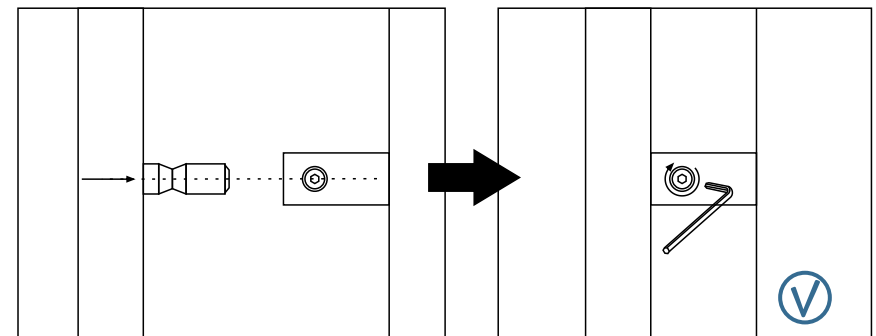


Figure 40

3045 Richmond Terrace, Staten
Island, NY 10303

✉ sales@vdom.us

☎ +1 (332) 777-7033