



DOOR UNIT INSTALLATION INSTRUCTIONS

1. Preparing for Installation

Carefully remove the packaging, foam plastic, cardboard. After unpacking check the door leaf and its completeness (figure 1).

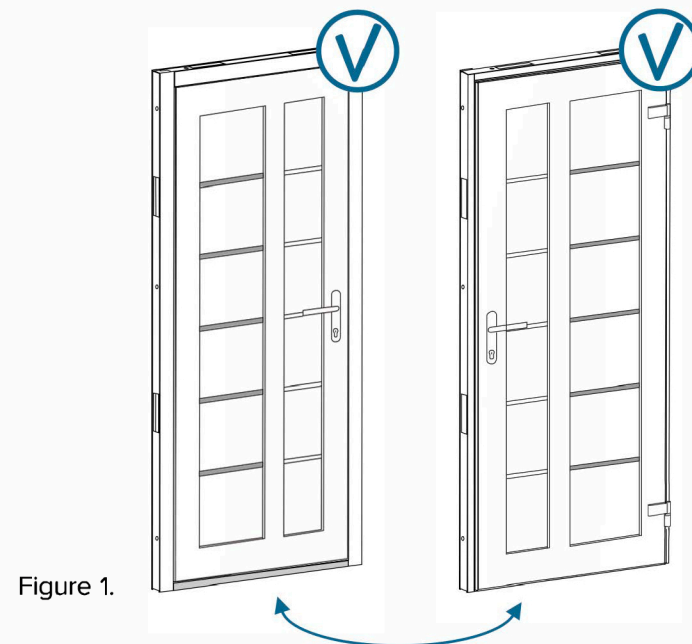


Figure 1.

2. Dismantling the Old Door and Preparing the Doorway

2.1. Before installing the door block, it is necessary to make sure that the size, side and direction of opening of the new door correspond to the opening (figure 2).

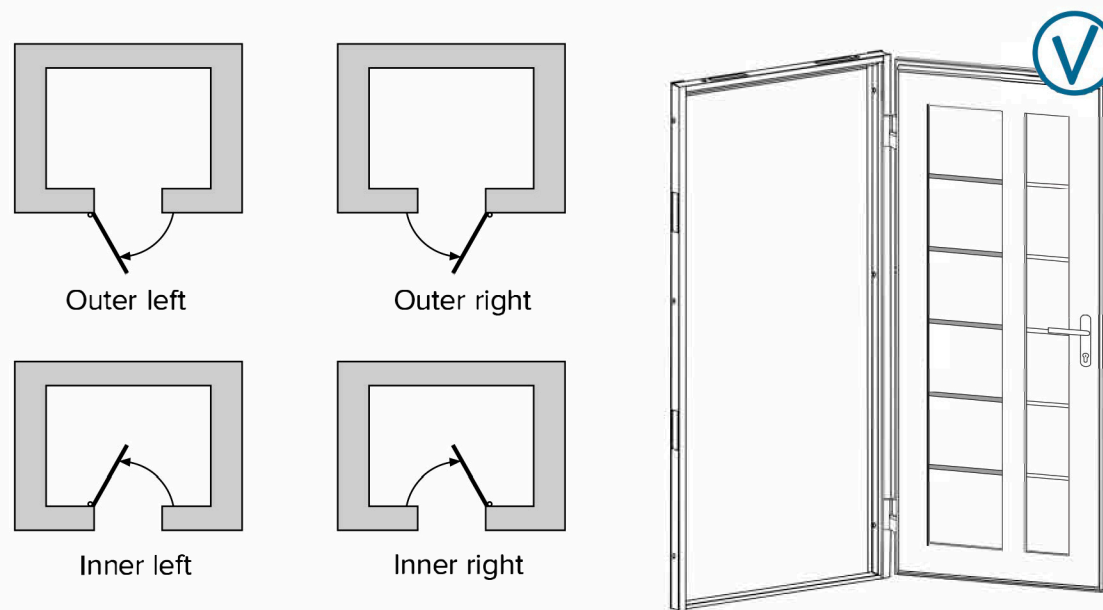


Figure 2 – the scheme of checking the direction and the side of the opening

2.3. Using a tape measure, determine the size of the doorway in several places by width and height. The recommended size of the doorway around the entire perimeter should be up to 30 mm larger than the installation size of the door frame on each side (figure 3).

ATTENTION! DO NOT dismantle the old door until you make sure that the new door is in good order and fits the size of the doorway!

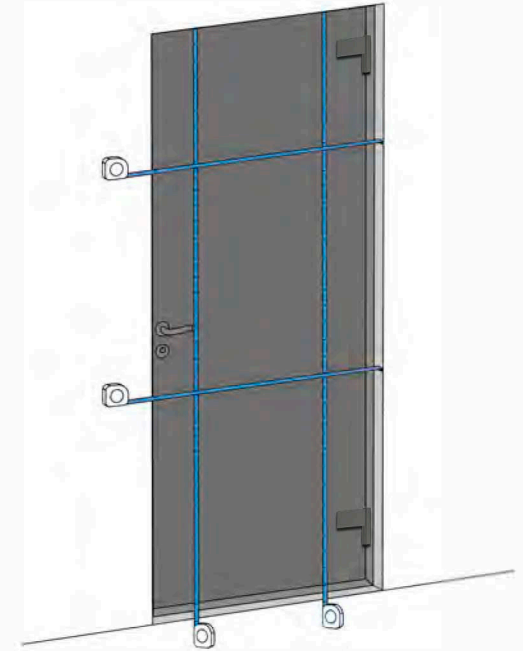


Figure 3

2.4. Dismantle the old door (figure 4).

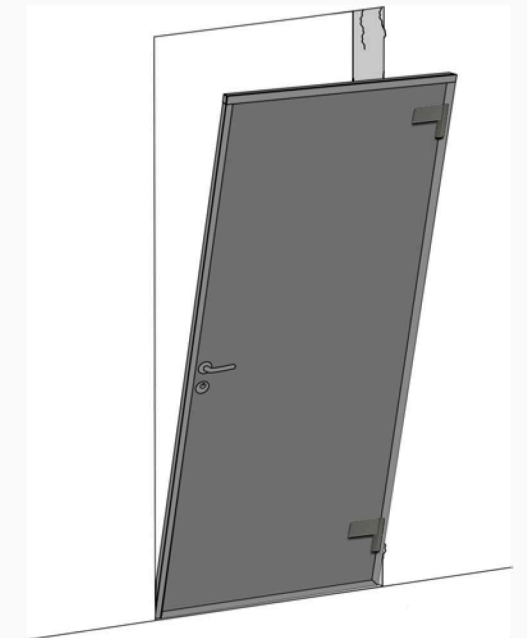


Figure 4

2.5. Prepare the doorway; if necessary, level it with a perforator and hammer, and clean the installation area from debris. Remove protruding irregularities from the doorway surface. Defective places must be puttied with waterproof compounds. Streaks and damages of more than 10 mm height/depth are not allowed on the doorway surface. Doorway surfaces with oil contamination should be degreased. Treat loose places with mastics.

2.6. Clean all surfaces of the doorway from dust, dirt, and oil stains, and – in winter conditions – from snow, ice, hoarfrost, followed by heating the surface (figure 5).

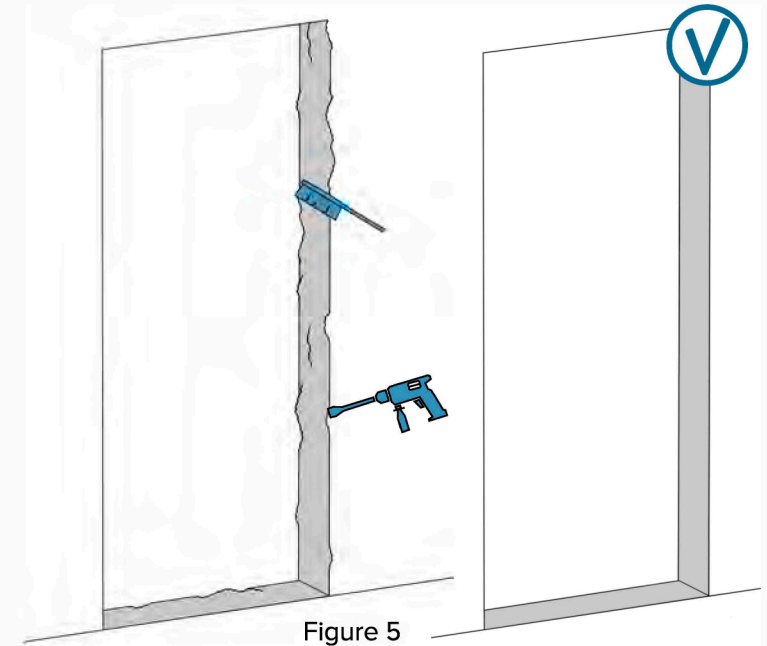


Figure 5

2.7. We recommend waterproofing the doorway around the entire perimeter using a waterproofing tape (figure 6).

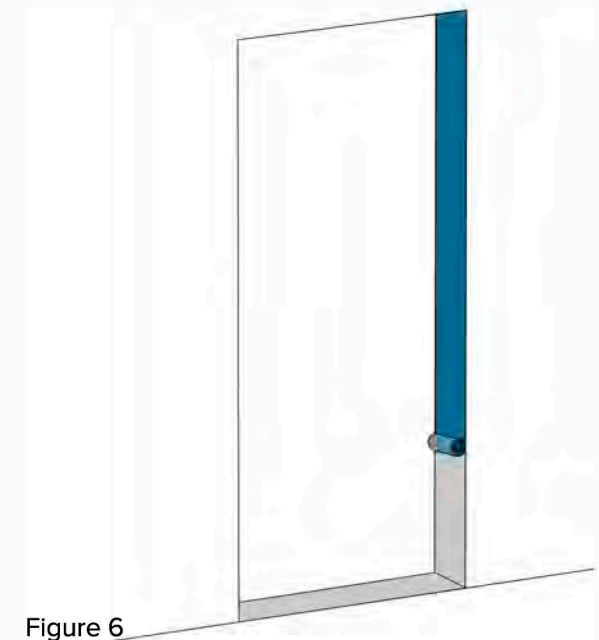
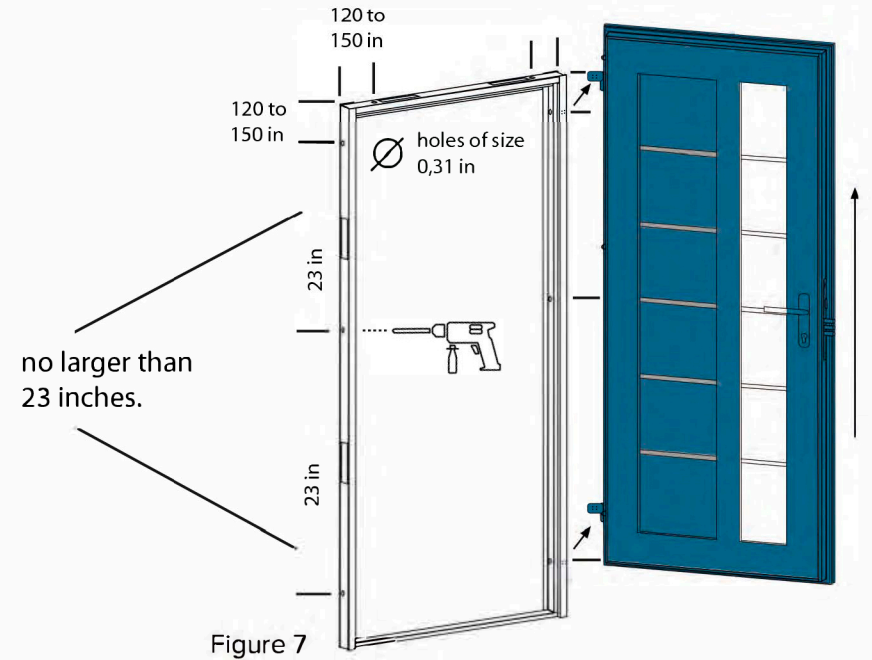
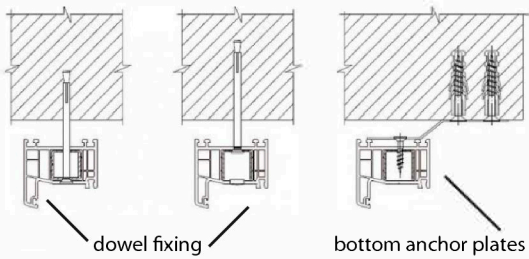


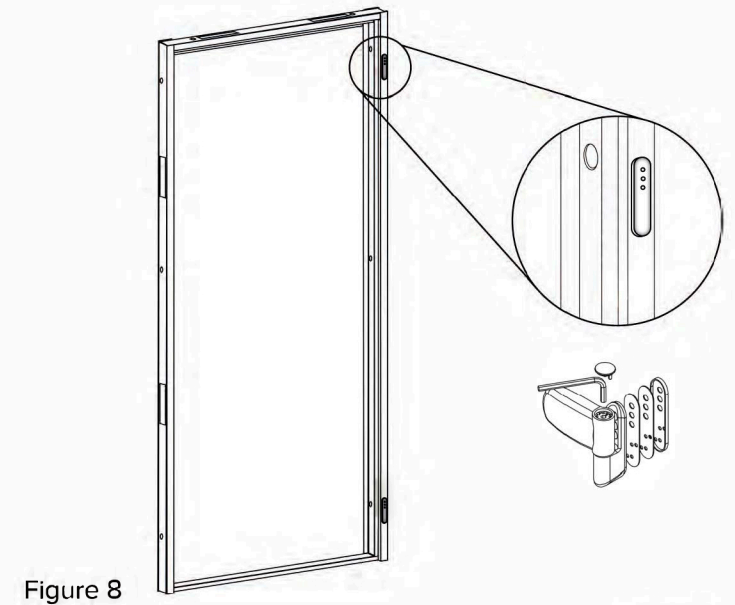
Figure 6

3. Installation of the Door Unit

3.1. Remove the door leaf from the frame (figure 7).

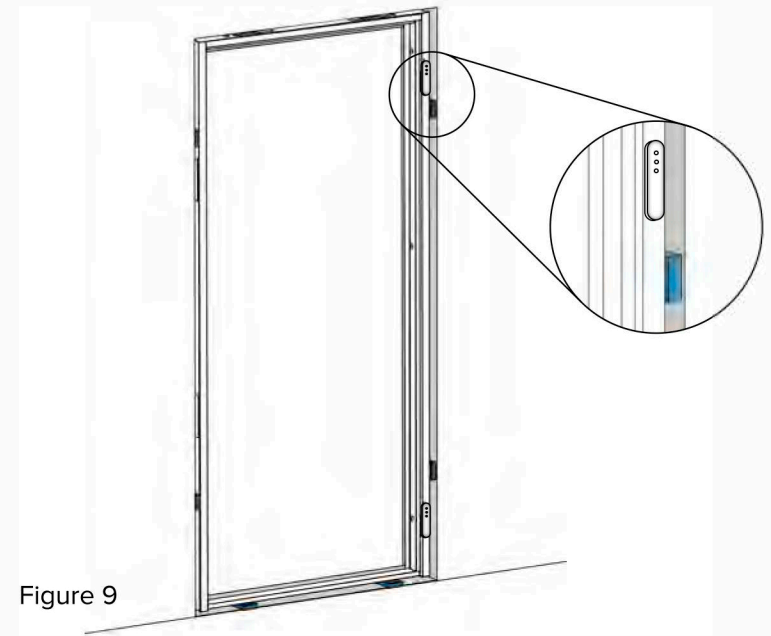


3.2. Remove all mounting bearings from hinges (figure 8).



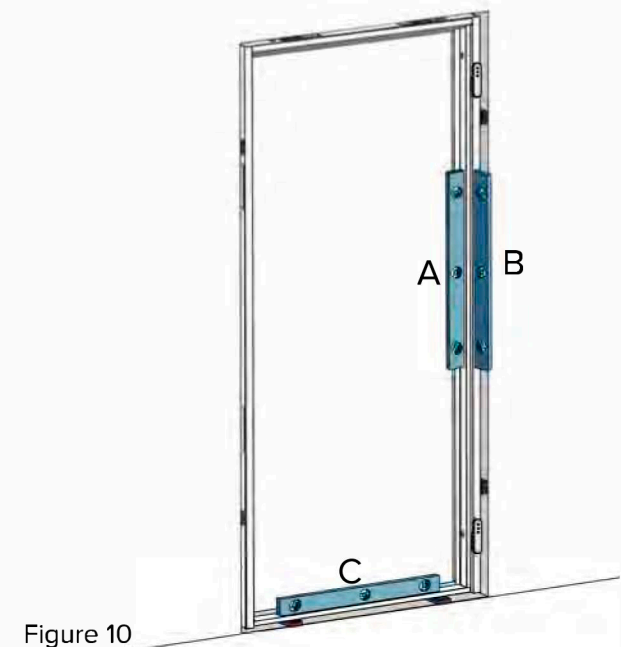
3.3. Install the frame in the doorway on backing materials (wedges, bars), ensuring approximately the same distance between the door frame and the doorway on both sides.

3.4. Fasten the door frame with wedges in the doorway to fix the clearances with wooden wedges. Wedges are preferably installed between the door frame and the doorway wall from above and below (figure 9), so as not to deform the middle part of the door frame.



3.5. Align the door frame with the help of a builder's level from hinge side. To check the vertical, the builder's level shall be applied to the inner, wide shelf of the frame (A); to check the inclination, the builder's level shall be applied to the front trim of the frame (B); to check the horizontal, the builder's level shall be applied to the threshold (figure 10).

Attention if it is impossible to install the door block on the anchor bolts through the frame the installation can be carried out through the remote installation brackets, which must be installed on the door frame using screws.



3.6. Drill a $\text{Ø}10$ mm 120-130 mm deep hole through the upper mounting hole on the hinge side of the frame (A) (figure 11).

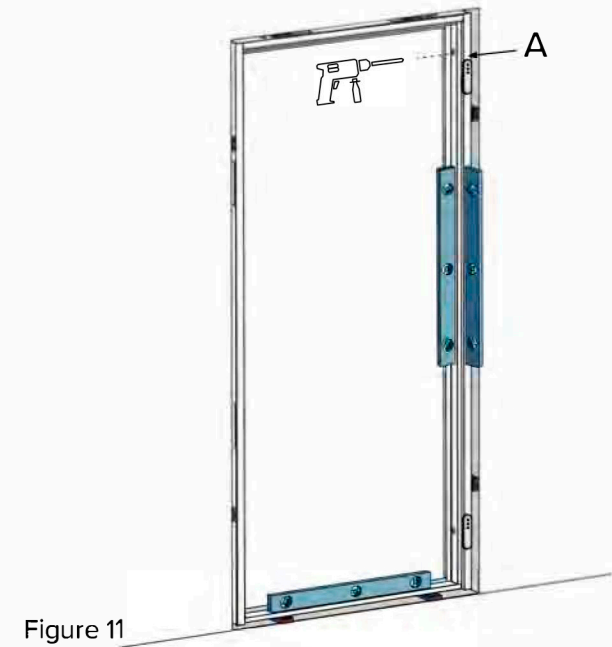


Figure 11

3.7. Remove chips and sand from the hole. It is recommended to lubricate the surface of the anchor with a cement-sand or adhesive mortar before installation. Install the frame anchor using a hammer and an impact screwdriver (A); do not tighten the anchor (figure 12).

3.8. Check with the builder's level the vertical of the hinge part and the horizontal of the threshold part of the frame.

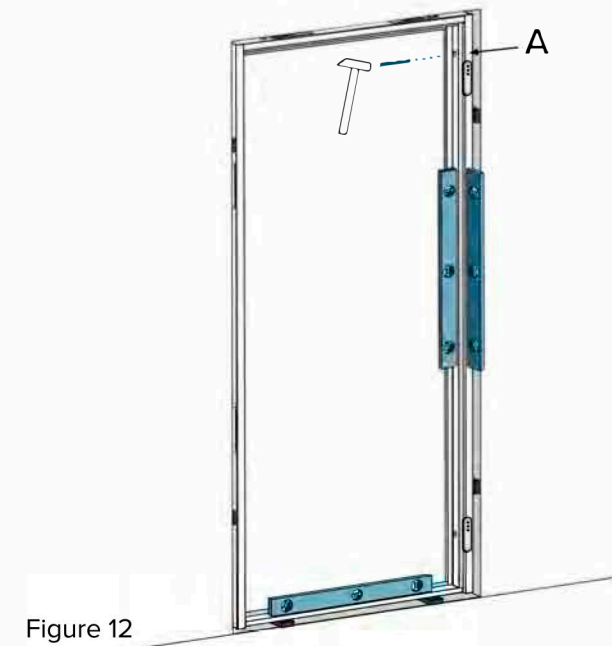
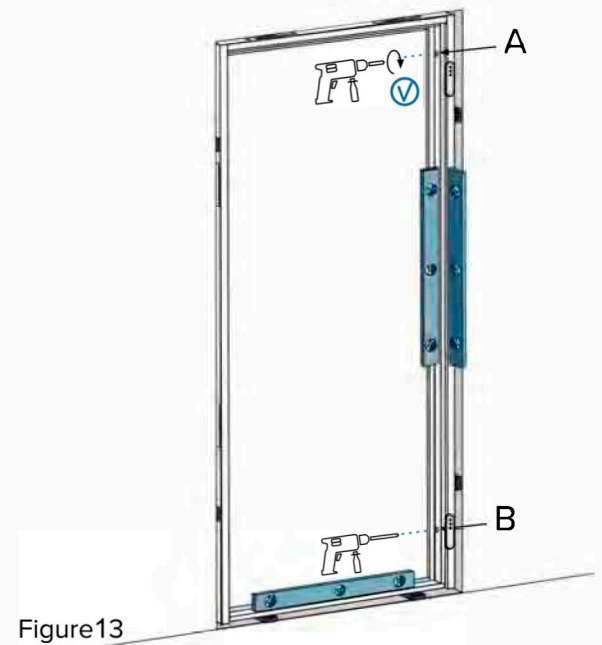


Figure 12

- 3.9. Screw in the frame anchor to the end (A).
- 3.10. Install the lower frame anchor on the hinge (B) side by repeating steps 3.6-3.9 (figure 13).



3.12. Install the door leaf (figure 15).



Figure 15

3.13. Align the locking part of the frame along the contact. Check the uniformity of the clearance between the top of the leaf and the top profile of the frame (A). In case of an uneven clearance, adjust it by placing wooden linings under the threshold of the frame from the side of the smaller clearance (B) (figure 16).

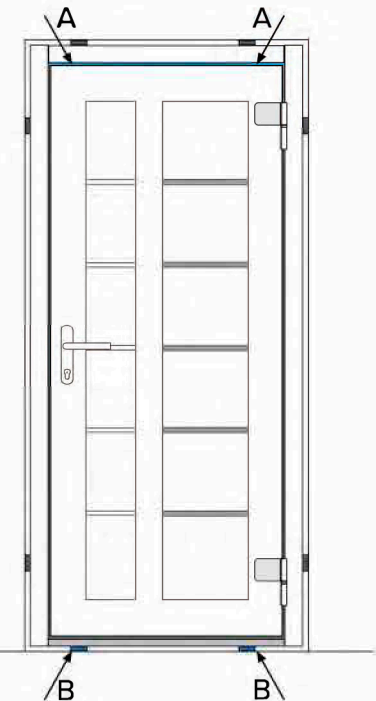


Figure 16

3.14. Drill holes in the wall through the remaining holes (on the left/right) (figure 17).

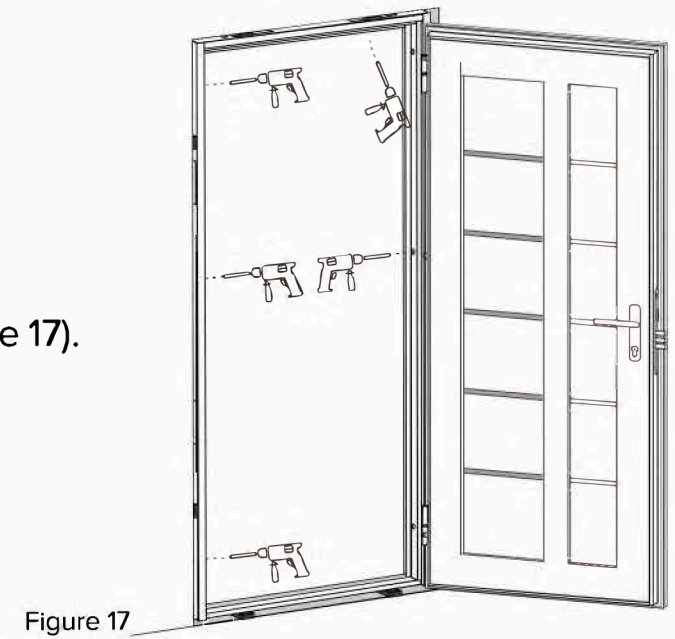


Figure 17

3.15. Fasten the anchors, but not completely (figure 18).

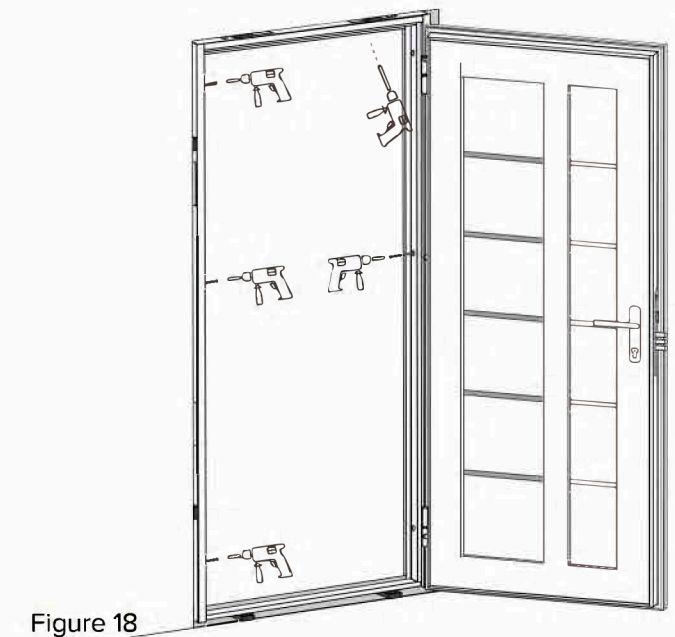


Figure 18

3.16. Close the door, check the vertical and the horizontal, and whether the door leaf is level relative to the frame (figure 19).

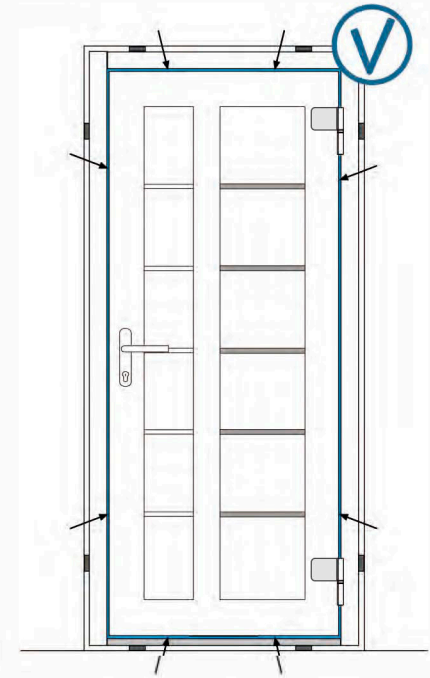


Figure 19

3.17. Tighten all anchors (figure 20).

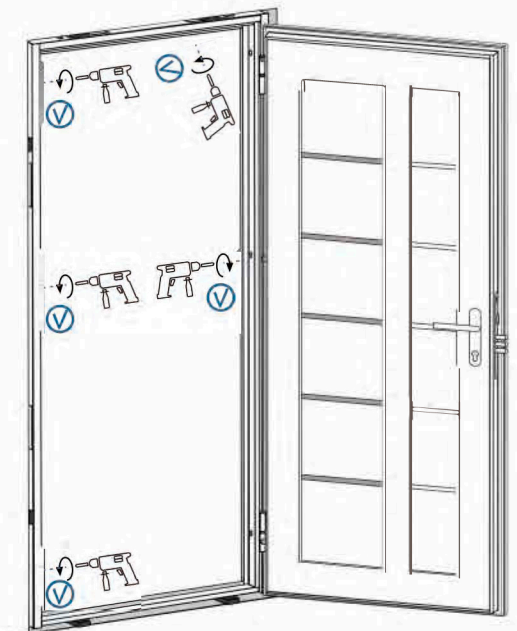


Figure 20

3.18. Adjustment of adjoining of the leaf contact (figure 21):

- If a contact regulator is installed in the door, see Annex No. 1 "Adjusting the Leaf Contact";
- If the door is equipped with Fuhr electromechanical latch, see Annex 2 "Fuhr Latch Operation and Adjustment".

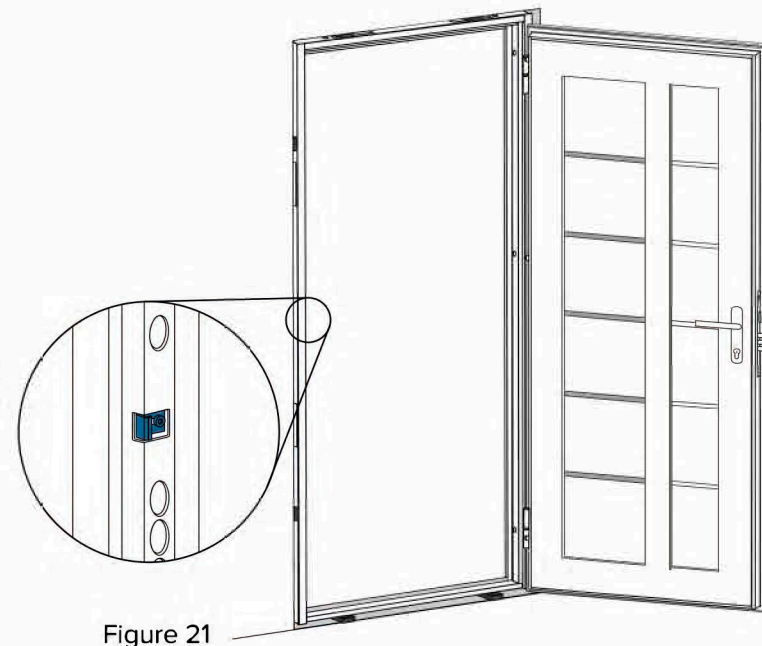


Figure 21

3.19. After the final installation and acceptance of the door unit, mounting holes shall be closed with the included plugs (figure 22).

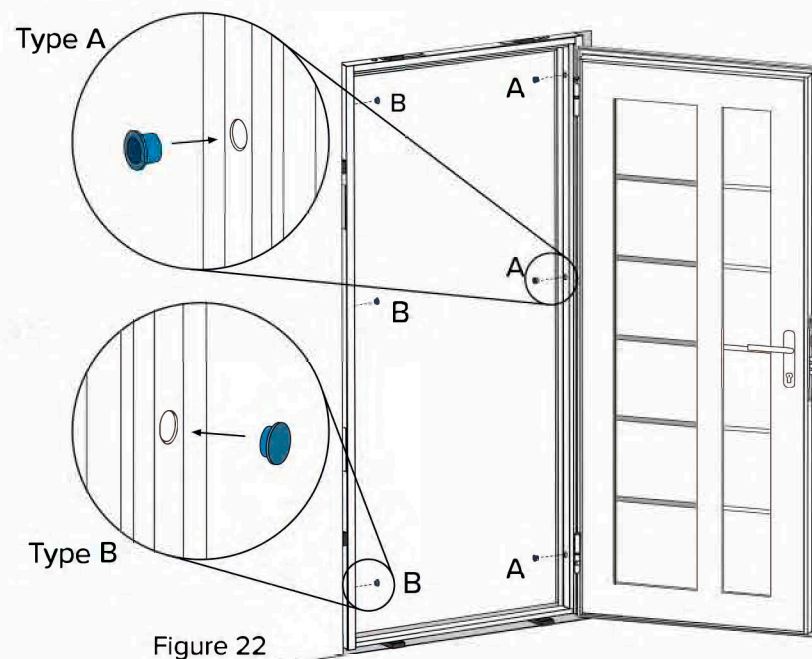


Figure 22

3.20. Blow off the filling places from dust and brick chips. Moisten the wall surface with a spray gun and fill the mounting clearance with mounting foam (figure 23).



Figure 23

4. Installing fittings (figure 24)

4.1. Installation and operation of the cylinder, see Annex No. 3 “Operation and Installation of Securemme K2 Cylinder”.

4.2. Install plates:

- if the door is equipped with plates, see Annex No. 4 “Installing the plates”.
- if the door is equipped with a mortise armoured plate, see Annex No. 5 “Armoured Plate Installation Instructions”.

4.3. Install handles:

- if the door is equipped with a lever handle, see Annex No. 6 “Lever Handle Installation Instructions”;
- if the door is equipped with a handle, see Annex No. 7 “Handle Installation Instructions”.

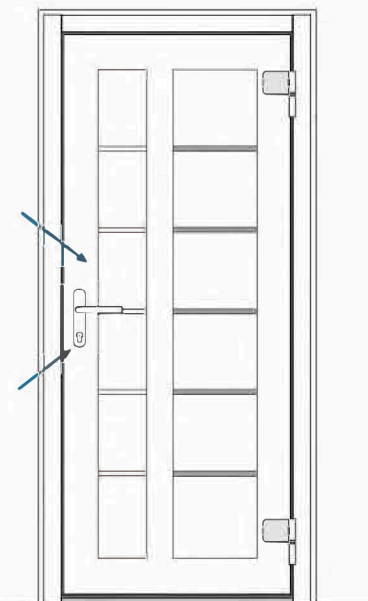
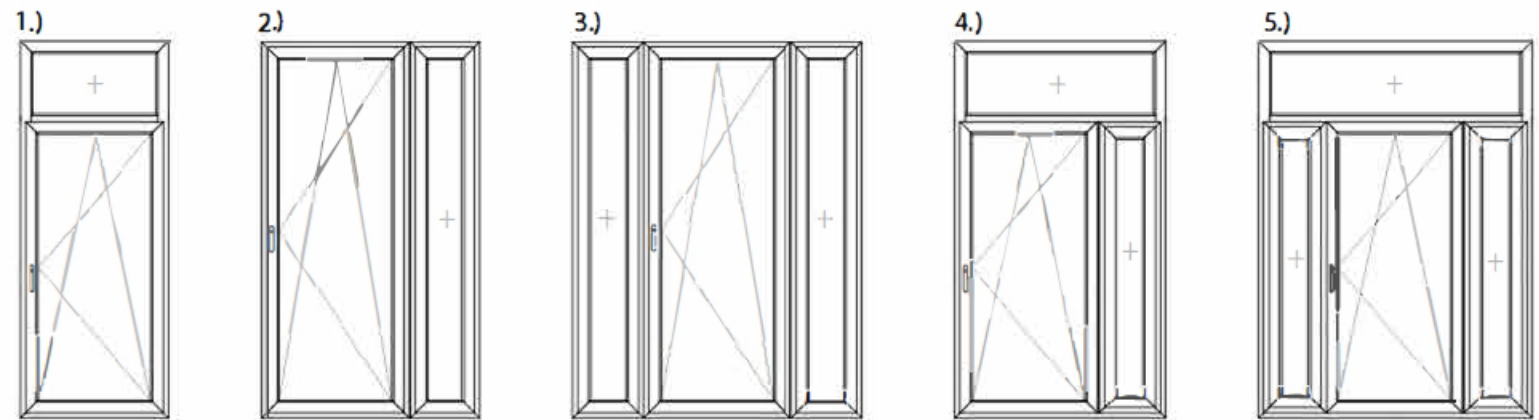


Figure 24



Types of doors with transoms

Installation of doors with transom

Remove the double-glazed windows from the transoms before installation.

Sealant or sealing tape is applied to the frames at the joints.

A connecting profile is inserted between the door leaf and the transom. Fig. 25.

Next, depending on the design of the door unit, the fanlight is placed on top or on the side and, having aligned them on the upper part, they are tightened with clamps.

The connector must also be aligned with the frame before tightening. to the frame.

Make holes on the fanlight side by drilling through the metal in the fanlight and door leaf and connect with self-tapping screws. Fig. 25.

Distance between self-tapping screws - the first self-tapping screw from the inside corner - 4,7-5,9inch. Distance between the next self-tapping screws - 11,8-15,7inch.

Mount the construction in the opening, check the opening and operability of the door. Insert the glass unit into the transom.

Seal the construction with foam or sealant.

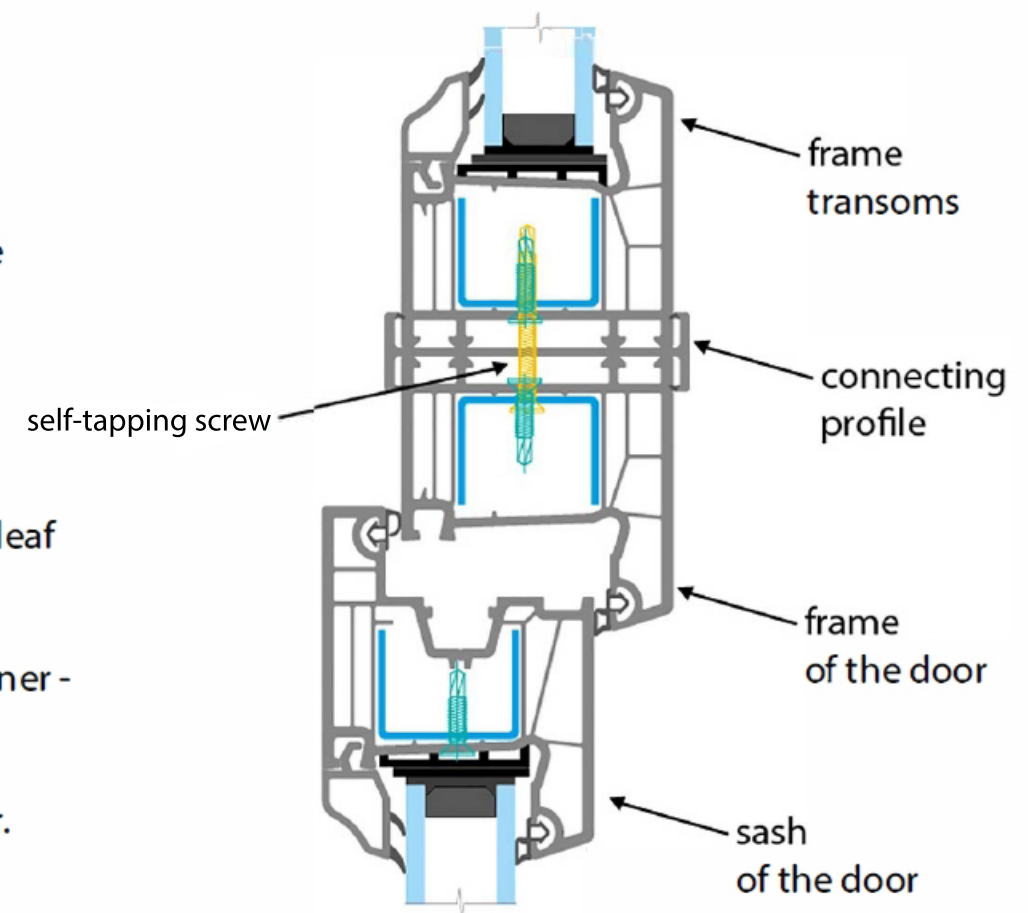


Figure - 25

Application No. 1
“The locking bar for the lock”

The locking strip is located on the frame opposite the lock on the door leaf. Adjusts the force of pressing the door leaf against the frame. (figure 26).

place for adjusting the clamping force

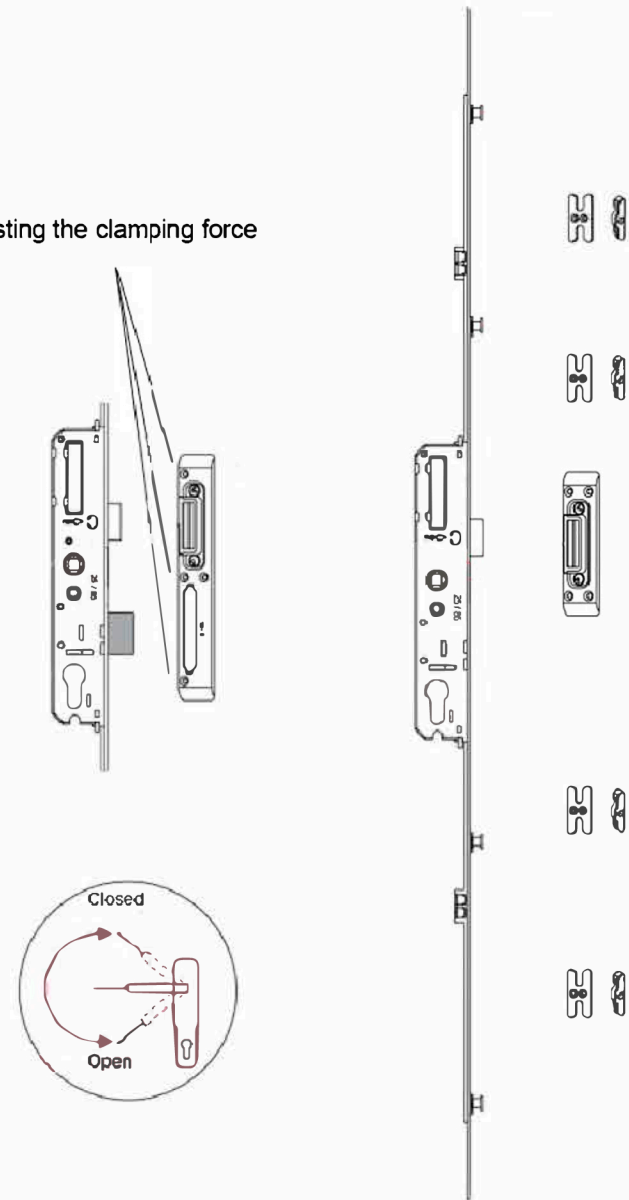


Figure 26 – Contact regulator

Cylinder operation

Secrecy - at least 500,000 combinations.

5 metal keys with perforated notches for durability.

6 pins and springs are made of steel for increased wear resistance.

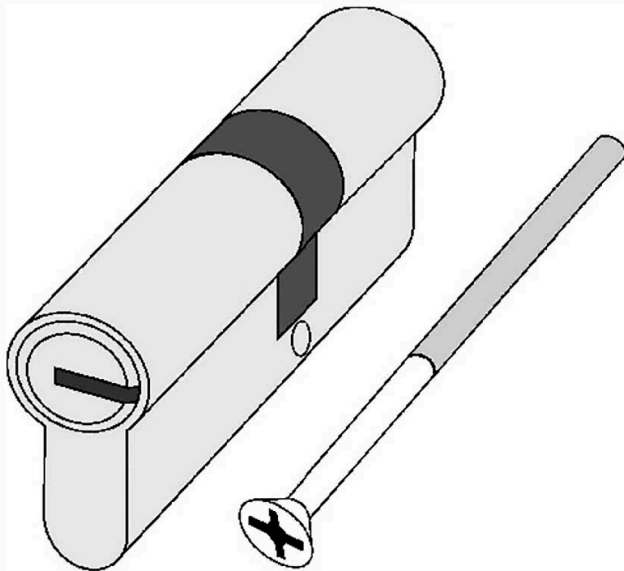


Figure 31 – Cylinder

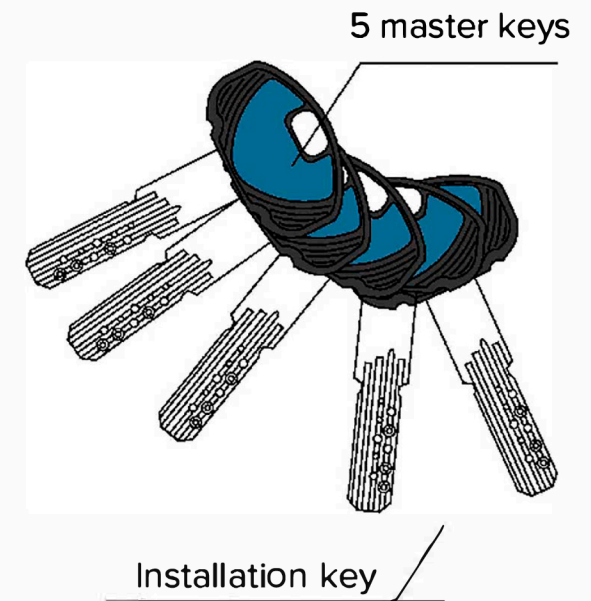


Figure 32 – Cylinder set

Application No. 6 “handle Installation Instructions”

Follow these steps to install the handle (figure 35):

1. The included square of the handle should be inserted into the lock.
2. Install the handles on the square close to the door leaf.
3. Trim (shorten) the bolts to match the size of the door leaf
4. Tighten both bases of the handle sockets through the holes in door leaf using the supplied tighten-ing screws.
5. Put the plugs on

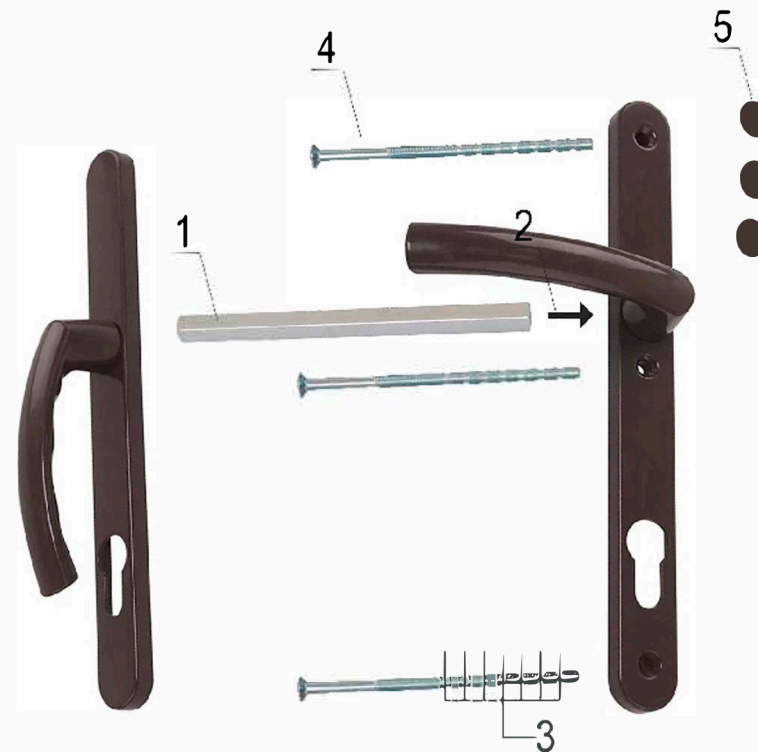


Figure 35 – Instructions for installing the handle

3045 Richmond Terrace, Staten
Island, NY 10303

✉ sales@vdom.us

☎ +1 (332) 777-7033